



EN

EVAPORATIVE COOLER

Bear



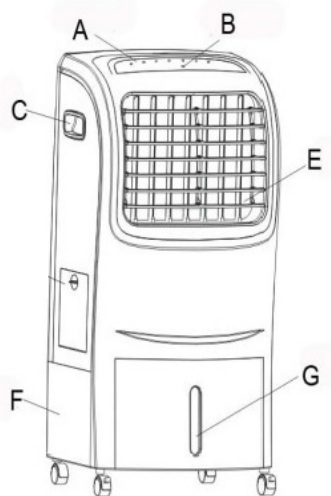
OPERATING INSTRUCTIONS

Read the instructions carefully before operating the appliance or carrying out maintenance operations. Observe all the safety instructions; failure to observe the instructions may lead to accidents and/or damage. Store these instructions in a safe place for future reference.

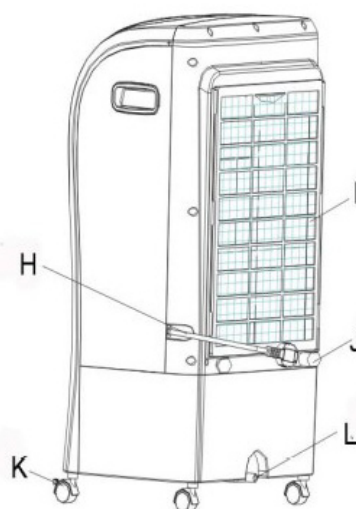
GENERAL SAFETY INFORMATION

- Only use this appliance as described in this manual.
- Any other use not recommended by the manufacturer may cause fire, electric shock or injury to persons.
- Make sure that the type of mains power complies with the electrical requirements of the appliance (220–240 V / 50 Hz).
- This product is not a toy. Children should be adequately supervised to ensure that they do not play with it.
- This appliance may be used by children aged 8 years or older and by persons with reduced physical, sensory and mental abilities, or who are unfamiliar with its operation and lack the necessary experience, provided that they are supervised or instructed on its use by a person responsible for their safety, so that they are fully aware of the attendant risks.
- Disconnect the mains power when the appliance is not in use or when performing cleaning operations.
- Switch off the appliance immediately in the event of any anomalies; do not attempt to repair it, but take it to the local technical assistance centre.
- Do not remove or replace parts by yourself, as this could jeopardise the product's safety.
- Do not touch the power cord with wet or damp hands; risk of electric shock!
- Do not insert objects into the appliance's grilles. This may cause leakages, short-circuits and damages to the product.
- Do not spray flammable substances or pesticides near the product as they could damage it.
- Do not use the appliance if the cord or plugs are damaged. Do not attempt to change the power cord yourself. If the power cord is damaged, it must be replaced by the manufacturer, dealer or a similarly qualified person so as to avoid any safety risks.
- Do not fold or place heavy objects on the power cord.
- Switch off the appliance and unplug it before carrying out maintenance or moving the appliance. Always unplug the appliance when not in use.
- To disconnect the appliance, press the ON/OFF button and pull out the plug from the socket. Pull on the plug only. Do not pull the cord. Otherwise, the cable may get damaged or leaks, etc. may occur.
- Do not pour water on the product: this may cause a short-circuit and damages to the product.
- Do not leave the airflow directed towards children for long periods of time.

DESCRIPTION OF PARTS



- A. Control panel**
- B. Remote control receiver**
- C. Side handles**
- E. Air discharge**
- F. Water tank**
- G. Water level indicator**



- H. Power cord**
- I. Removable air filter**
- J. Cord winding hooks**
- K. Swivel casters**
- L. Water valve**

HOW TO USE THE APPLIANCE

The appliance is supplied without casters. Mount the casters before using it. Place the unit on a flat and stable surface then connect the power cord to a suitable socket (220–240 V); start the appliance by pressing the ON/OFF button. Pressing the ON/OFF button again causes the unit to emit a buzzer before switching off.

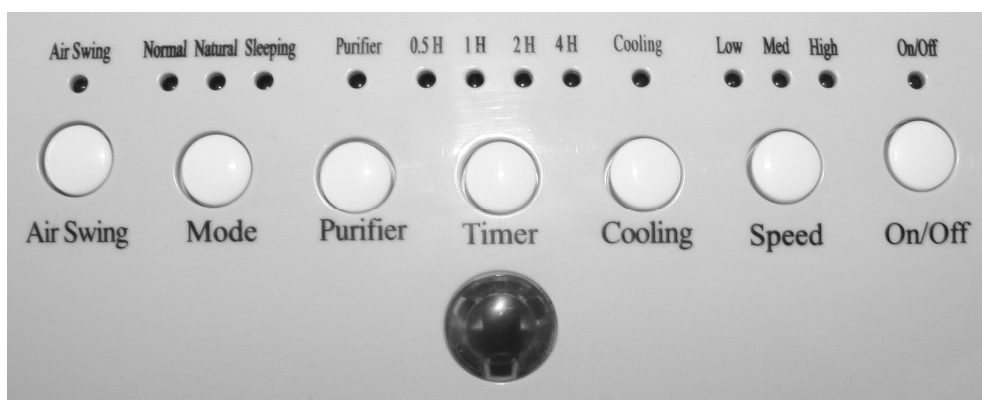
This product can be used both as a **fan – with 3 modes (Normal, Natural and Sleeping) and 3 fan speeds (low, medium, high) available – and as a cooler/humidifier**: in this case, the rear tank must be filled with **demineralised water** without exceeding the maximum limit indicated on the tank itself.

To enhance the product's cooling power, add synthetic ice (not supplied) to the water in the tank. Do not use this cooler in very humid and dusty areas, or with temperatures exceeding 40°C.

When the water in the tank falls below the minimum level marked on the tank, the appliance emits a continuous sound to signal the low water level before it stops the cooling mode. The unit deactivates automatically when the tank is removed. The fan takes in air from the room and passes it through the dust filter and the evaporative panel, which is kept constantly humidified thanks to a system that draws water from the tank and sprays it onto the panel. The incoming hot air causes part of the water contained in the panel to evaporate; the air thus released back into the room is cooler, which makes it feel as though the temperature has dropped.

Plug in the appliance correctly; the ON/OFF indicator light will switch on. The Cooler can be controlled from the control panel or from a remote control. The remote control can function up to 5 m away, at an angle of roughly 20°.

DISPLAY AND CONTROL PANEL



REMOTE CONTROL



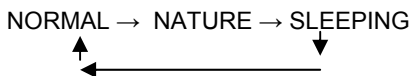
ON/OFF BUTTON: Press the ON/OFF button. The ventilation speed is pre-set to medium and the mode to NORMAL. Press the ON/OFF button once to switch the appliance off.

SPEED BUTTON: Press the SPEED button to select the desired ventilation speed (Low / Medium / High). The ventilation speed changes and the indicator light turns to a different colour.

AIR SWING BUTTON: Press the AIR SWING button to increase the ventilation area in the room. The vertical fins will swing towards the right and left. To stop them from swinging, press AIR SWING again and the indicator light will switch off. The horizontal fins can be moved downwards or upwards.

TIMER BUTTON: Press the TIMER button to select the desired time interval. The selected time range is between 0.5 and 7.5 hours. The indicator light corresponding to the time will light up.

MODE BUTTON: When this button is pressed once, the basic setting is NORMAL; press the button again to select the desired ventilation mode according to the following sequence:



COOL BUTTON: The COOL indicator light flashes if the water in the tank falls below the minimum level marked on the tank, or if there is no water at all.

Before operating the unit in COOL mode, make sure that the water tank valves are properly secured. Next, pour demineralised water into the tank between the minimum and maximum levels marked.

Press the COOL button: the unit will begin to emit cooler air. The COOL button will light up.

For improved cooling performance, add synthetic ice (not supplied) directly to the water in the tank, after leaving it in the freezer for a few hours.

To deactivate the COOL function, press the corresponding button again.

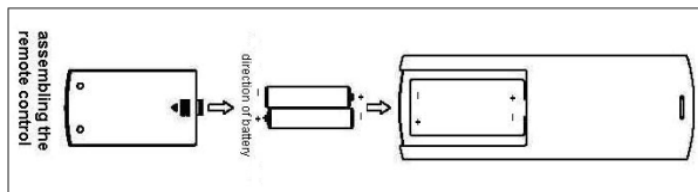
PURIFIER BUTTON: activates the air purification function.

To turn the cooler off, press the ON/OFF button. Remove the plug from the socket.

NOTE: the unit will stop functioning with a 5-minute delay to allow the mesh filter to dry.

HOW TO INSERT / REMOVE THE REMOTE CONTROL BATTERIES

Open the battery compartment on the rear of the remote control by sliding the cover out backwards. Insert 2 x AAA batteries (not supplied) while making sure to match the poles (refer to the picture below relative to the remote control assembly).



INFORMATION FOR THE CORRECT DISPOSAL OF BATTERIES IN ACCORDANCE WITH EUROPEAN DIRECTIVE 2006/66/EC

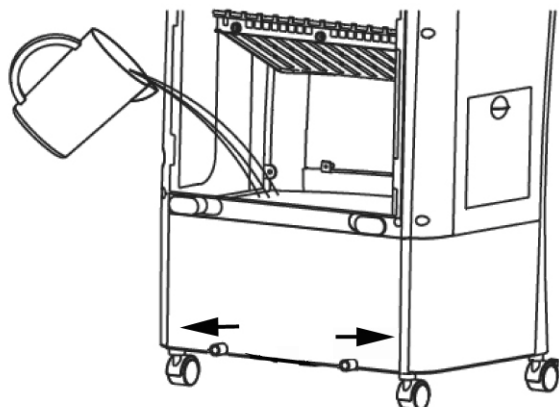
Replace batteries when they are depleted. At the end of their life, batteries must be disposed of separately from unsorted waste. It must be delivered to appropriate separated waste disposal plants or to dealers that provide a similar service. Separate waste disposal of batteries prevents potential negative effects on the environment and human health resulting from inadequate disposal, and also allows the materials from which it is made to be recovered and recycled in order to achieve significant savings in terms of energy and resources. The separate disposal obligation is underlined by the crossed-out dustbin symbol appearing on the battery. Illegal disposal of the product by the user is subject to administrative penalties as per current regulations.

FILLING THE WATER TANK

WARNING!!

DO NOT REMOVE THE WATER VALVE IN THE TANK FROM ITS PLASTIC SUPPORT. REMOVE THE VALVE FROM ITS HOUSING TOGETHER WITH THE SUPPORT, OR AVOID REMOVING THE VALVE AND FILL THE TANK USING A JUG.

THE TANK MUST BE FILLED WITH DEMINERALISED WATER FOR OPERATING THE APPLIANCE IN THE COOLING/HUMIDIFICATION MODES.



Counter-rotate the tank knobs by 90° and remove the tank from its housing; fill it **with demineralised water** up to the maximum level mark. Replace the tank into its housing and turn the knobs.

If you wish to keep the water in the tank below room temperature for long (up to 4 hours) in order to maximise cooling during the warmer months, add one of the two synthetic ice packs supplied to the water in the tank, after leaving the pack to freeze into a block in the freezer.

The ice will absorb heat from the water. We recommend using ice continuously for optimising the cooling capacity. When ice is used for the first time, you may detect a smell or the water may change colour: there are no risks for human health.

If the tank is extracted while the appliance is operating, the power supply cuts out and the appliance emits a signal before it stops functioning. Press the ON/OFF button to restore the appliance's operation.

If the tank lacks water for a few seconds, the cooling function is interrupted and only the ventilation function remains active.

MAINTENANCE AND STORAGE

CAUTION: ALWAYS UNPLUG THE APPLIANCE BEFORE CLEANING OR MAINTENANCE OPERATIONS.

IMPORTANT: DO NOT SUBMERGE THE PRODUCT IN WATER

Cleaning the outside surface of the appliance

Use a soft cloth to remove any dust from the product.

Should this not suffice, use a soft cloth dampened with water and neutral detergent at a temperature below 50°C. Leave the appliance to dry fully before using it again.

Do not use corrosive detergents or solvents such as petrol. Do not wash the appliance with water. Do not use oils, chemical substances or other items that may damage the surface to clean it.

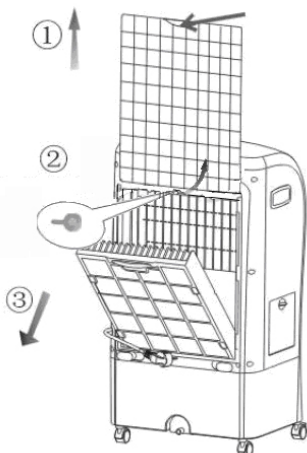
Use a vacuum cleaner to remove dust from the air inlet/outlet grilles.

Cleaning the dust filter, cooling panel and tank

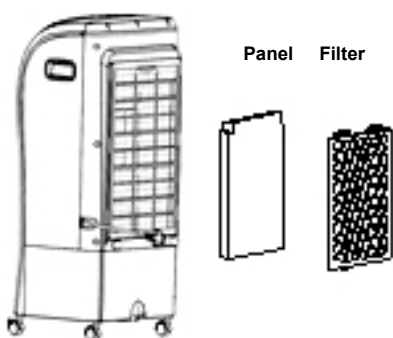
Clean the dust filter frequently, at least once a month.

Remove the dust filter and extract the cooling panel, as shown in the diagram below.

REMOVING THE FILTER

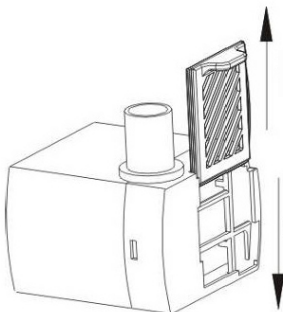


Pull the tab upwards. Turn the upper knob upwards as shown in the picture. Lift the filter by pulling it upwards.



Clean the dust filter using a soft brush or vacuum cleaner, and wash it in water containing a neutral detergent. Remove the cooling panel as well and soak it in water containing a neutral detergent. Extract the tank and rinse it under running water, while removing any residues. Let the filter, panel and tank dry fully after they are washed, then re-mount the components in the following order: water tank, cooling panel and dust filter.

CLEANING THE PUMP FILTER



Prior to starting maintenance operations, make sure that the appliance is unplugged. The filter must be kept clean to ensure optimal operation of the appliance. If the filter is clogged or water cannot pass through it, clean it as shown in the picture.

STORAGE

If the appliance is not used for prolonged periods, disconnect the power cord and store the appliance with this manual in its original packaging, in a cool and dry place.



INFORMATION FOR THE CORRECT DISPOSAL OF THE PRODUCT IN ACCORDANCE WITH EUROPEAN DIRECTIVE 2012/19/EU

This appliance may not be scrapped with domestic waste at the end of its life cycle. We call your attention to the crucial role played by the consumer in the re-use, recycling and other forms of recovery of such waste.

The appliance must be scrapped by a sorted waste disposal centre or by returning it to the retailer (no charge is levied for this service), when you purchase a new equivalent appliance.

Sorted disposal of electric and electronic equipment prevents the negative effects on the environment and human health resulting from improper scrapping, and also allows the materials from which it is made to be recovered and recycled, with significant savings in terms of energy and resources.

The sorted disposal requirement is indicated by the crossed waste bin label affixed to the appliance.



www.argoclima.com